

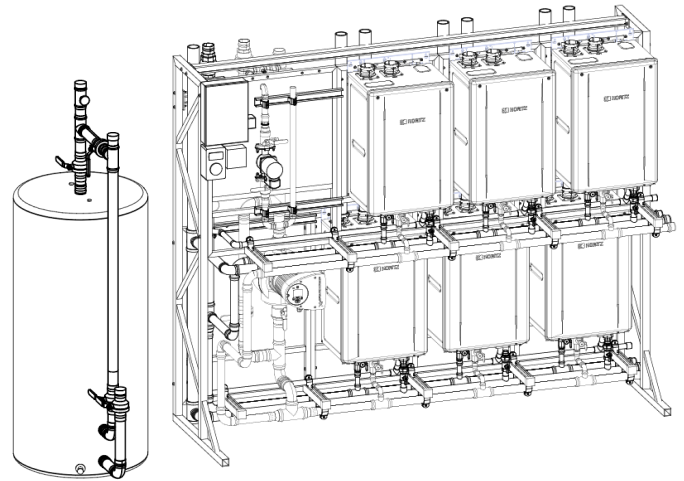
Total Tankless Solution (TTS) Specification Sheet

TTS-TWST6

Tankless With Storage Tank Commercial Tankless Water Heater System

UNMATCHED TECHNOLOGY

FRG's TTS-TWST6 Series provides the most complete commercial water heater solution in the market. This tankless water heating system provides up to 1,199,400 BTU/hr in the smallest footprint while having the advantage of redundancy and equalizing heating performance.



KEY FEATURES

OPC (One Point of Connection)

- Water, Recirculation Return Line, Power, Gas, Venting & Condensation Drain

Manifold systems

- Hot Water Outlet, Cold Water Inlet, Gas, Condensate Drain

Building recirculation

Reduction in labor hours

System recirculation

Designed to fit through 3'-0" x 7'-0" Door

Pre-engineered system

Pre-configured control wiring

Pre-installed system controllers

Warranty

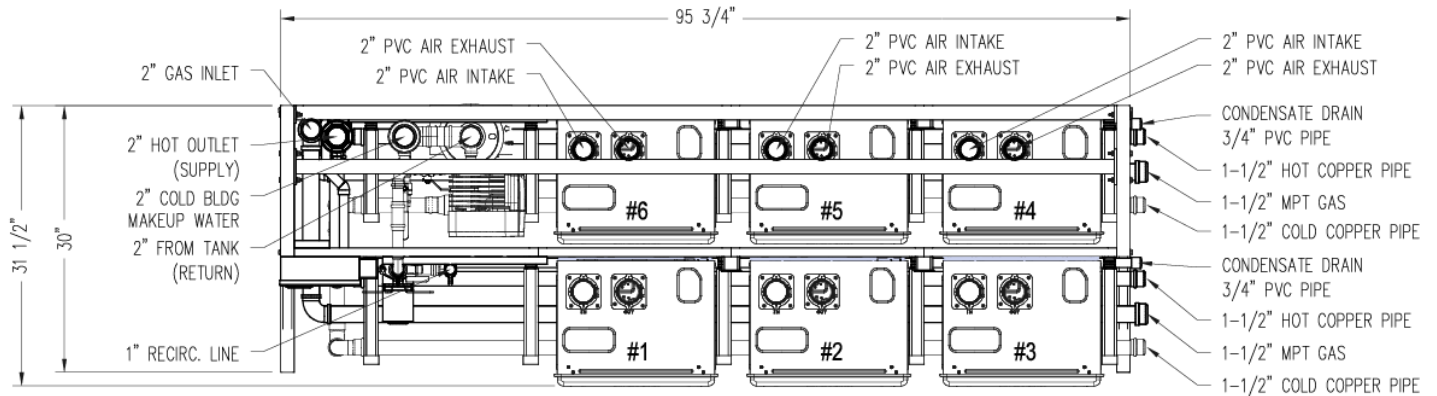
- 10 Years Heat Exchanger per Tankless Unit
- 5 Years Water Heater Parts & Components
- 3 Year Circulation Pump
- 1 Year Labor

Additional Included Accessories:

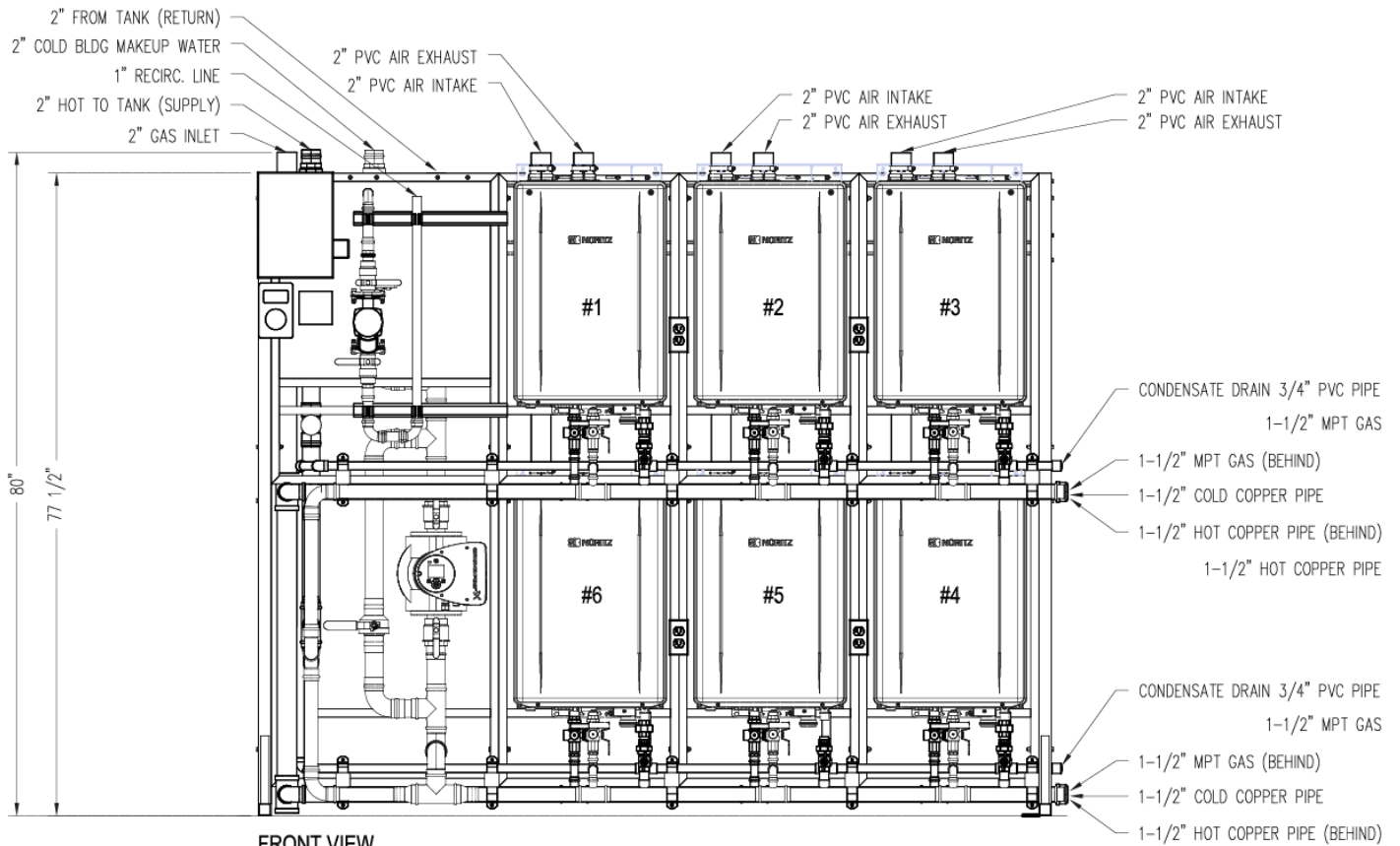
- Condensate Neutralizer (Qty 2)
- 115 Gallon Storage Tank with Manifolds
- Expansion Tank (Non-ASME)
- 20 Gallon (TTS-TWST2/3/4/5/6 Models)

TTS-TWST SERIES SPECIFICATIONS (SYSTEM DIMENSIONS)

Model: TTS-TWST6



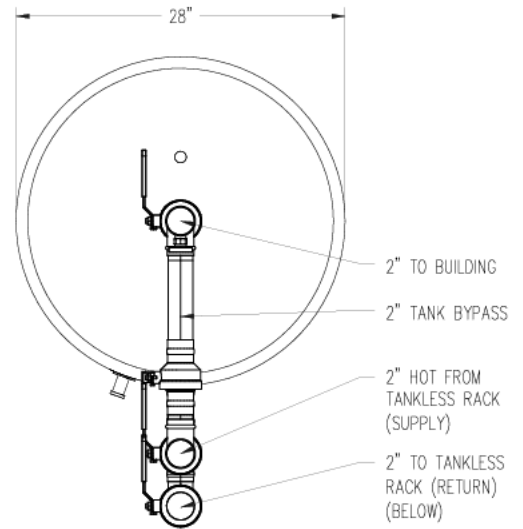
PLAN VIEW



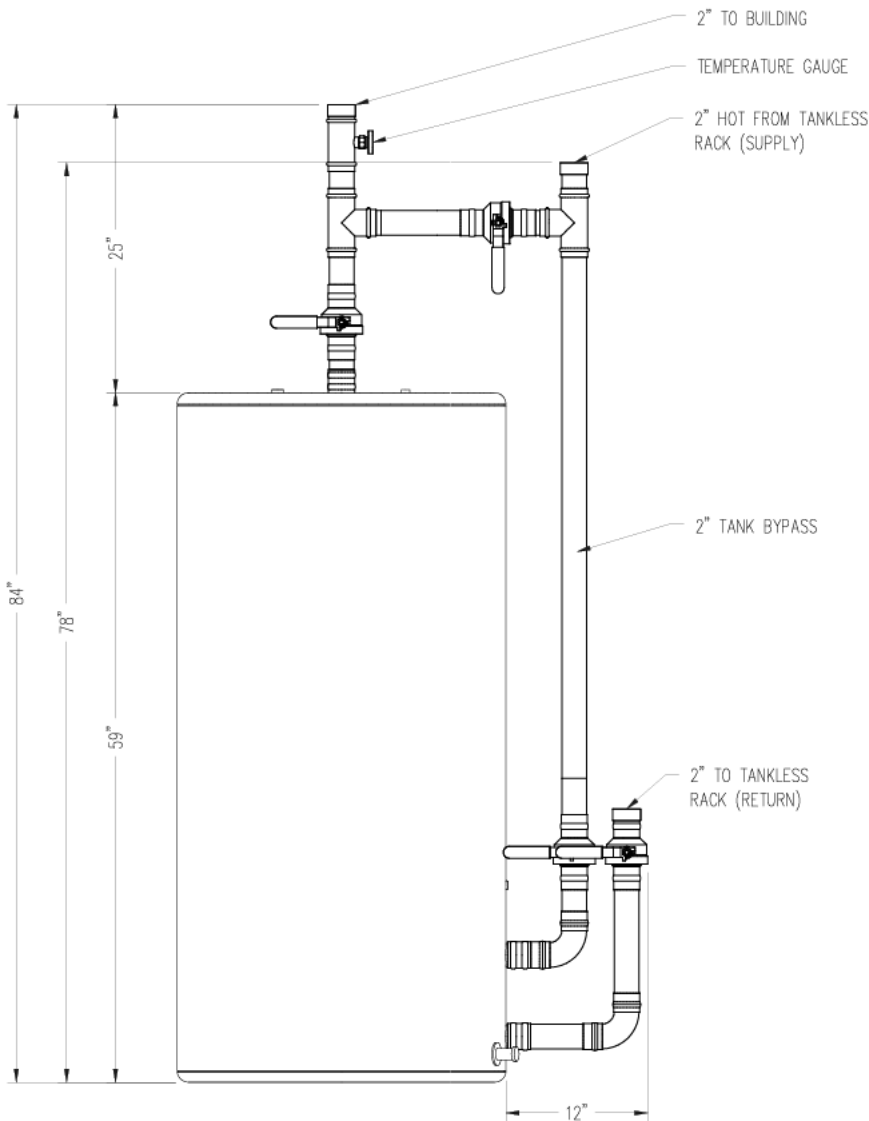
FRONT VIEW

TTS-TWST SERIES SPECIFICATIONS (TANK DIMENSIONS)

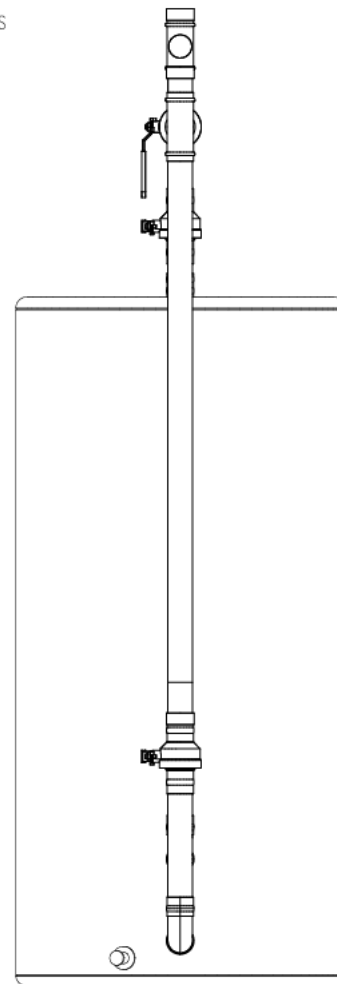
Model: TTS-TWST6



PLAN VIEW



LEFT SIDE VIEW



FRONT VIEW

TTS-TWST SERIES SPECIFICATIONS (PARAMETERS)

Model Name	TTS-TWST6	
Min. Input (BTU/HR)	18,000	
Max. Output (BTU/HR)	1,199,400	
Turn Down Ratio	66:1	
System Dimensions L X D X H (IN)	130.75 X 31.5 X 104 (248 CU. FT.)	
System Weight (LBS)	880	
Shipping Dimensions L X D X H (IN)	135.75 X 38.5 X 107 (324 CU. FT.)	
Shipping Weight (LBS)	1,480	
GPH @100°F Rise	1,523.0	
Operating Pressure	15 - 150 psi	
Gas Supply Pressure	NG: 3.5" - 10.5" LP: 8.0" - 14.0"	
Water Holding Capacity	0.80 Gallon (3.2L) per Heater	
Storage Tank Water Holding Capacity	115 Gallon (435L)	
Connection Size	Water Inlet	2" LC-ODT/PP
	Hot Water Outlet	2" LC-ODT/PP
	Hot Water Recirculation Return	1" LC-ODT/PP
	Gas Inlet	2" Sch40-BI-NPT
	Condensate Drain	3/4" Sch 40 PVC-ODT
Power Consumption	Supply Total Rack	208/240 VAC 1-PH 40-AMPS
	Sub - Heater	120VAC (60Hz), less than 4 amperes
	Sub - Recirculation Pump	120VAC (60Hz), 5 to 45W
	Sub - System Circulation Pump	120VAC (60Hz), 32 to 1196W
Temperature Setting	°F Mode	100-150°F (In 5°F intervals), 160°F, 170°F, 185°F (14 Options)
	°C Mode	37-48°C (In 1°C intervals), 50-85°C (In 5°C intervals) (20 Options)
Materials	Heater Front Cover	Hot-dipped zinc-aluminum-magnesium-alloy-coated steel w/ Polyester Coating
	Heater Casing	Zincified Steel Plate / Polyester Coating
	System Rack	Aluminum
Pump Performance	System Pump	Max 36-GPM @ 28' of head
	Sub - Recirculation Pump	3.5-GPM @ 15' of head (see Pump Curve below)

